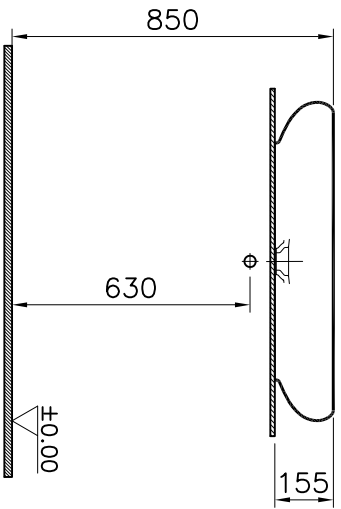
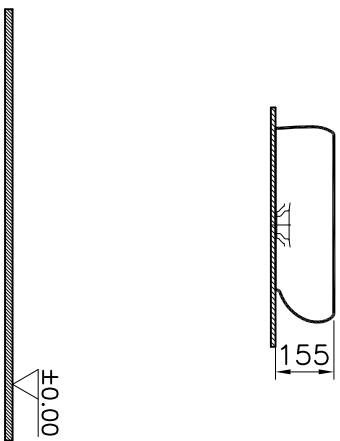
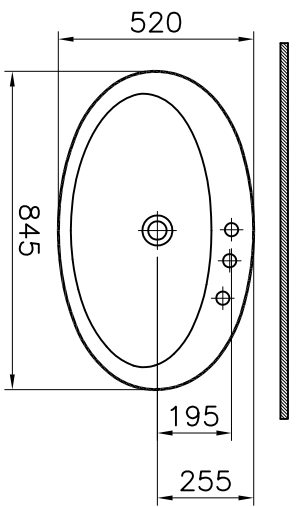
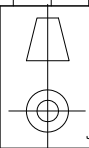


Theoretic Mass(kg)	Revision
Surface Area(dm ²)	A4

Thread	Hole	Shaft
--------	------	-------



Item	Quantity	Part Name	Material	Drawing No	Material Class
1	1	Washbasin, Istanbul	Ceramic	4447-0871	Ceramic



This drawing can only be used for the intended purpose. Unauthorised copying is strictly prohibited.

Drawn By	Controlled By	Approved By	Date	Drawing No	Scale
G.SULZER	H.TURKOZ	S.YEDAT SARIKOL	16.12.2011	4447	1/20

RS	Description	Date	NAME
----	-------------	------	------

Vitra® | ARTEMIA®