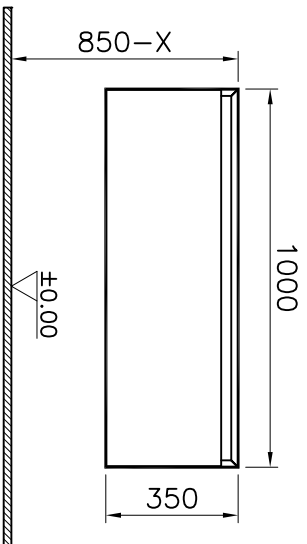
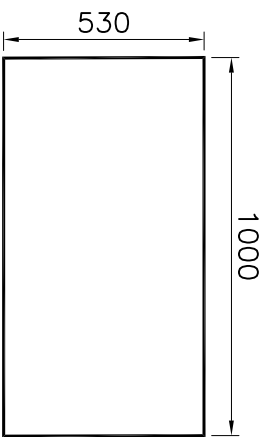


Theoretic Mass(kg)	Revision
Surface Area(dm <sup>2</sup> )	<b>A4</b>

Thread	Hole	Shaft



RS	Description	Date	G.GOUTIER NAME

Item	Quantity	Part Name	Series	Material	Drawing No	Material	Material Class
1	1	Washbasin Unit 100cm	OPTIONS LUX	Washbasin Unit 100cm	55032		

Drawn By	Controlled By	Approved By	Date	Drawing No	Scale
G.GOUTIER	G.CAM	B.KIRAN	29.11.2011	55032	1/20

**VITRA® | ARTEMIS®**